



Unit 8/2 Carson Road
Malaga WA 6090
P: 08 9248 9994
F: 08 9248 9995
E: sales@couplers.com.au
www.couplers.com.au

SECTION 14: STAINLESS STEEL HYGIENIC

14.1	<u>STAINLESS STEEL TUBEWELD</u>	2-4
14.2	<u>TRICLOVER FITTINGS</u>	5
14.3	<u>BSM FITTINGS</u>	6-8

STAINLESS STEEL TUBEWELD

TECHNICAL INFORMATION

Uses: Tubeweld fittings are commonly used for tube insulations in the food, dairy, wine, brewing and pharmaceutical industries.

Material: 316 Stainless Steel as standard
304 Stainless Steel available on request
Polished Stainless Steel as standard

Wall Thickness: 1.6mm as standard

***Stainless Steel tube to suit can be found in Catalogue 'Section 12: Pipe & Tube'

SIZE	OUTSIDE DIAMETER (mm)
1/2"	12.70
3/4"	19.10
1"	25.40
1.1/4"	31.75
1.1/2"	38.10
2"	50.80
2.1/2"	63.50
3"	76.20
4"	101.60
5"	127.00
6"	152.40

ELBOWS



SIZE	ELBOW 90°	ELBOW 45°	U-BEND 180°
1/2"	SST-316-EL9-012	SST-316-EL4-012	SST-316-UBE-012
3/4"	SST-316-EL9-020	SST-316-EL4-020	SST-316-UBE-020
1"	SST-316-EL9-025	SST-316-EL4-025	SST-316-UBE-025
1.1/4"	SST-316-EL9-032	SST-316-EL4-032	SST-316-UBE-032
1.1/2"	SST-316-EL9-038	SST-316-EL4-038	SST-316-UBE-038
2"	SST-316-EL9-050	SST-316-EL4-050	SST-316-UBE-050
2.1/2"	SST-316-EL9-063	SST-316-EL4-063	SST-316-UBE-063
3"	SST-316-EL9-075	SST-316-EL4-075	SST-316-UBE-075
3.1/2"	SST-316-EL9-090	-	-
4"	SST-316-EL9-100	SST-316-EL4-100	SST-316-UBE-100
5"	SST-316-EL9-125	SST-316-EL4-125	-
6"	SST-316-EL9-150	SST-316-EL4-150	-

STAINLESS STEEL TUBEWELD

CONCENTRIC & ECCENTRIC REDUCERS



SIZE	SIZE	CONCENTRIC REDUCER	ECCENTRIC REDUCER
3/4"	1/2"	SST-316-CON-2012	SST-316-ECC-2012
1"	1/2"	SST-316-CON-2512	SST-316-ECC-2512
1"	3/4"	SST-316-CON-2520	SST-316-ECC-2520
1.1/4"	3/4"	SST-316-CON-3220	SST-316-ECC-3220
1.1/4"	1"	SST-316-CON-3225	SST-316-ECC-3225
1.1/2"	3/4"	SST-316-CON-3820	SST-316-ECC-3820
1.1/2"	1"	SST-316-CON-3825	SST-316-ECC-3825
1.1/2"	1.1/4"	SST-316-CON-3832	SST-316-ECC-3832
2"	3/4"	SST-316-CON-5020	SST-316-ECC-5020
2"	1"	SST-316-CON-5025	SST-316-ECC-5025
2"	1.1/4"	SST-316-CON-5032	SST-316-ECC-5032
2"	1.1/2"	SST-316-CON-5038	SST-316-ECC-5038
2.1/2"	1"	SST-316-CON-6325	SST-316-ECC-6325
2.1/2"	1.1/4"	SST-316-CON-6332	SST-316-ECC-6332
2.1/2"	1.1/2"	SST-316-CON-6338	SST-316-ECC-6338
2.1/2"	2"	SST-316-CON-6350	SST-316-ECC-6350
3"	1"	SST-316-CON-7525	SST-316-ECC-7525
3"	1.1/2"	SST-316-CON-7538	SST-316-ECC-7538
3"	2"	SST-316-CON-7550	SST-316-ECC-7550
3"	2.1/2"	SST-316-CON-7563	SST-316-ECC-7563
4"	1"	SST-316-CON-10025	SST-316-ECC-10025
4"	1.1/2"	SST-316-CON-10038	SST-316-ECC-10038
4"	2"	SST-316-CON-10050	SST-316-ECC-10050
4"	2.1/2"	SST-316-CON-10063	SST-316-ECC-10063
4"	3"	SST-316-CON-10075	SST-316-ECC-10075
5"	2"	SST-316-CON-12550	SST-316-ECC-12550
5"	2.1/2"	SST-316-CON-12563	SST-316-ECC-12563
5"	3"	SST-316-CON-12575	SST-316-ECC-12575
5"	4"	SST-316-CON-125100	SST-316-ECC-125100
6"	2"	SST-316-CON-15050	SST-316-ECC-15050
6"	2.1/2"	SST-316-CON-15063	SST-316-ECC-15063
6"	3"	SST-316-CON-15075	SST-316-ECC-15075
6"	4"	SST-316-CON-150100	SST-316-ECC-150100
6"	5"	SST-316-CON-150125	SST-316-ECC-150125

STAINLESS STEEL TUBEWELD

TEE, Y-PIECE & SLIP ON WELD TUBE FLANGES



SIZE	TEE	Y-PIECE	FLANGE TABLE D/E
1/2"	SST-316-TEE-012	-	SST-316-FLA-DE-012
3/4"	SST-316-TEE-020	-	SST-316-FLA-DE-020
1"	SST-316-TEE-025	SST-316-Y-025	SST-316-FLA-DE-025
1.1/4"	SST-316-TEE-032	SST-316-Y-032	SST-316-FLA-DE-032
1.1/2"	SST-316-TEE-038	SST-316-Y-038	SST-316-FLA-DE-038
2"	SST-316-TEE-050	SST-316-Y-050	SST-316-FLA-DE-050
2.1/2"	SST-316-TEE-063	SST-316-Y-063	SST-316-FLA-DE-063
3"	SST-316-TEE-075	SST-316-Y-075	SST-316-FLA-DE-075
4"	SST-316-TEE-100	SST-316-Y-100	SST-316-FLA-D-100 SST-316-FLA-E-100
5"	SST-316-TEE-125	SST-316-Y-125	SST-316-FLA-DE-125
6"	SST-316-TEE-150	SST-316-Y-150	SST-316-FLA-D-150 SST-316-FLA-E-150

CAPS, MALE BSP ADAPTORS, HOSETAILS



SIZE	CAP	MALE BSP ADAPTOR	HOSETAIL
1"	SST-316-CAP-025	SST-316-MBSP-025	SST-316-HOS-025
1.1/4"	SST-316-CAP-032	-	SST-316-HOS-032
1.1/2"	SST-316-CAP-038	SST-316-MBSP-038	SST-316-HOS-038
2"	SST-316-CAP-050	SST-316-MBSP-050	SST-316-HOS-050
2.1/2"	SST-316-CAP-063	SST-316-MBSP-063	SST-316-HOS-063
3"	SST-316-CAP-075	SST-316-MBSP-075	SST-316-HOS-075
4"	SST-316-CAP-100	SST-316-MBSP-100	SST-316-HOS-100
5"	SST-316-CAP-125	-	-
6"	SST-316-CAP-150	-	SST-316-HOS-150

TRICLOVER FITTINGS

TECHNICAL INFORMATION

Uses: Triclover fittings are designed to weld onto Stainless Steel tube, allowing attachment / release by way of a clamp. The clamp and ferrule design allows quick and easy disassembly for cleaning, making them particularly useful in the food industry. Fittings are manufactured to be used in conjunction with tube of the same nominal outside diameters.

Material: 316 Stainless Steel (Clamps 304 Stainless Steel)

Other: 1/2" & 3/4" as well as 1" & 1.1/2" ferrules have the same outside diameter, so clamps and blanking plates are interchangeable on these sizes.



SIZE	COMPLETE UNION	CLAMP	BLANKING PLATE	O-RING
1/2"	SS-TRI-COM-0012	SS-TRI-CLA-0020	SS-TRI-PLA-0020	SS-TRI-SEA-0012
3/4"	SS-TRI-COM-0020			SS-TRI-SEA-0020
1"	SS-TRI-COM-0025	SS-TRI-CLA-0038	SS-TRI-PLA-0038	SS-TRI-SEA-0025
1.1/2"	SS-TRI-COM-0038			SS-TRI-SEA-0038
2"	SS-TRI-COM-0050	SS-TRI-CLA-0050	SS-TRI-PLA-0050	SS-TRI-SEA-0050
2.1/2"	SS-TRI-COM-0063	SS-TRI-CLA-0063	SS-TRI-PLA-0063	SS-TRI-SEA-0063
3"	SS-TRI-COM-0075	SS-TRI-CLA-0075	SS-TRI-PLA-0075	SS-TRI-SEA-0075
4"	SS-TRI-COM-0100	SS-TRI-CLA-0100	SS-TRI-PLA-0100	SS-TRI-SEA-0100
6"	SS-TRI-COM-0150	SS-TRI-CLA-0150	SS-TRI-PLA-0150	SS-TRI-SEA-0150
8"	SS-TRI-COM-0200	SS-TRI-CLA-0200	SS-TRI-PLA-0200	SS-TRI-SEA-0200



SIZE	FERRULE SHORT	FERRULE LONG	HOSETAIL	FERRULE x BSP ADAPTOR
1/2"	SS-TRI-FES-0012	SS-TRI-FEL-0012	-	MADE TO ORDER TO SUIT YOUR REQUIREMENTS (SS-TRI-BPF)
3/4"	SS-TRI-FES-0020	SS-TRI-FEL-0020	-	
1"	SS-TRI-FES-0025	SS-TRI-FEL-0025	SS-TRI-HT-0025	
1.1/2"	SS-TRI-FES-0038	SS-TRI-FEL-0038	SS-TRI-HT-0038	
2"	SS-TRI-FES-0050	SS-TRI-FEL-0050	SS-TRI-HT-0050	
2.1/2"	SS-TRI-FES-0063	SS-TRI-FEL-0063	SS-TRI-HT-0063	
3"	SS-TRI-FES-0075	SS-TRI-FEL-0075	SS-TRI-HT-0075	
4"	SS-TRI-FES-0100	SS-TRI-FEL-0100	SS-TRI-HT-0100	
6"	SS-TRI-FES-0150	SS-TRI-FEL-0150	-	
8"	SS-TRI-FES-0200	SS-TRI-FEL-0200	-	

BSM FITTINGS

TECHNICAL INFORMATION

Uses: British Standard Milk (BSM) are designed to weld onto Stainless Steel tube, allowing easy attachment / release by way of a coarse, food industry approved thread. Depending on the type of liner and seal used, they can form a crevice free joint, and are easy to disassemble for cleaning. They meet Australian Standards for use in the food industry.


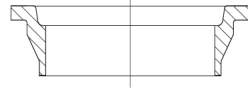

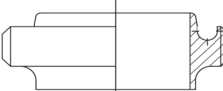
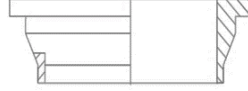

Material: 316 Stainless Steel (Nuts 304 Stainless Steel)

Working Temp: -51°C to 148°C for the EPDM o-ring

Variations DIN and SMS style BSM fittings available on request



LINER, MALE PART & SEAL VARIATIONS

DESCRIPTION	MALE PART	LINER	O-RING
BSM RJT STANDARD (HAS A LIP) RJT = RING JOINT TYPE MOST COMMON	SS-BSM-MAL 	SS-BSM-LIN 	SS-BSM-ORI 
BSM CIP FLAT FACE (NO LIP, FLAT ON TOP) CIP = CLEAN IN PLACE	SS-BSM-MAL-CF 	SS-BSM-LIN-CF 	SS-BSM-OCF 

When selecting the right male part, liner and O-ring, you should use like with like:

- RJT male part with RJT liner and standard O-ring
- CIP Flat Face male part with CIP Flat Face liner and CIP FF O-ring
- CIP Flat Face male part can be used with an RJT liner and CIP FF O-ring however this is not recommended



SIZE	COMPLETE UNION	O-RING RJT STANDARD	O-RING CIP FLAT FACE
1"	SS-BSM-COM-0025	SS-BSM-ORE-0025	SS-BSM-OCF-0025
1.1/2"	SS-BSM-COM-0038	SS-BSM-ORE-0038	SS-BSM-OCF-0038
2"	SS-BSM-COM-0050	SS-BSM-ORE-0050	SS-BSM-OCF-0050
2.1/2"	SS-BSM-COM-0063	SS-BSM-ORE-0063	SS-BSM-OCF-0063
3"	SS-BSM-COM-0075	SS-BSM-ORE-0075	SS-BSM-OCF-0075
4"	SS-BSM-COM-0100	SS-BSM-ORE-0100	SS-BSM-OCF-0100
6"	SS-BSM-COM-0150	SS-BSM-ORE-0150	SS-BSM-OCF-0150

BSM FITTINGS

BSM COMPONENTS



SIZE	LINER RJT STANDARD	LINER CIP FLAT FACE	MALE PART RJT STANDARD	MALE PART CIP FLAT FACE
1"	SS-BSM-LIN-0025	SS-BSM-LIN-CF-0025	SS-BSM-MAL-0025	SS-BSM-MAL-CF-0025
1.1/2"	SS-BSM-LIN-0038	SS-BSM-LIN-CF-0038	SS-BSM-MAL-0038	SS-BSM-MAL-CF-0038
2"	SS-BSM-LIN-0050	SS-BSM-LIN-CF-0050	SS-BSM-MAL-0050	SS-BSM-MAL-CF-0050
2.1/2"	SS-BSM-LIN-0063	SS-BSM-LIN-CF-0063	SS-BSM-MAL-0063	SS-BSM-MAL-CF-0063
3"	SS-BSM-LIN-0075	SS-BSM-LIN-CF-0075	SS-BSM-MAL-0075	SS-BSM-MAL-CF-0075
4"	SS-BSM-LIN-0100	SS-BSM-LIN-CF-0100	SS-BSM-MAL-0100	SS-BSM-MAL-CF-0100
6"	SS-BSM-LIN-0150	SS-BSM-LIN-CF-0150	SS-BSM-MAL-0150	SS-BSM-MAL-CF-0150



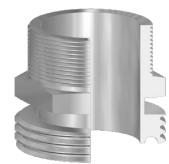
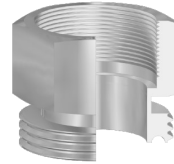
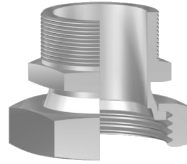
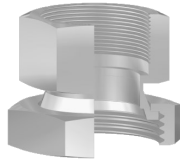
SIZE	BLANKING CAP	BLANKING PLATE	HEX NUT
1"	SS-BSM-CAP-0025	SS-BSM-PLA-0025	SS-BSM-NUT-0025
1.1/2"	SS-BSM-CAP-0038	SS-BSM-PLA-0038	SS-BSM-NUT-0038
2"	SS-BSM-CAP-0050	SS-BSM-PLA-0050	SS-BSM-NUT-0050
2.1/2"	SS-BSM-CAP-0063	SS-BSM-PLA-0063	SS-BSM-NUT-0063
3"	SS-BSM-CAP-0075	SS-BSM-PLA-0075	SS-BSM-NUT-0075
4"	SS-BSM-CAP-0100	SS-BSM-PLA-0100	SS-BSM-NUT-0100
6"	SS-BSM-CAP-0150	SS-BSM-PLA-0150	SS-BSM-NUT-0150



SIZE	MALE HOSETAIL	NUT & TAIL
1"	SS-BSM-HT-M-0025	SS-BSM-P5-0025
1.1/2"	SS-BSM-HT-M-0038	SS-BSM-P5-0038
2"	SS-BSM-HT-M-0050	SS-BSM-P5-0050
2.1/2"	SS-BSM-HT-M-0063	-
3"	SS-BSM-HT-M-0075	SS-BSM-P5-0075
4"	SS-BSM-HT-M-0100	SS-BSM-P5-0100

BSM FITTINGS

BSM x BSP ADAPTORS



SIZE	BSM FEMALE x BSP FEMALE	BSM FEMALE x BSP MALE	BSM MALE x BSP FEMALE	BSM MALE x BSP MALE
1"	SS-BSM-BSP-FF-0025	SS-BSM-BSP-FM-0025	SS-BSM-BSP-MF-0025	SS-BSM-BSP-MM-0025
1.1/2"	SS-BSM-BSP-FF-0038	SS-BSM-BSP-FM-0038	SS-BSM-BSP-MF-0038	SS-BSM-BSP-MM-0038
2"	SS-BSM-BSP-FF-0050	SS-BSM-BSP-FM-0050	SS-BSM-BSP-MF-0050	SS-BSM-BSP-MM-0050
2.1/2"	SS-BSM-BSP-FF-0063	SS-BSM-BSP-FM-0063	SS-BSM-BSP-MF-0063	SS-BSM-BSP-MM-0063
3"	SS-BSM-BSP-FF-0075	SS-BSM-BSP-FM-0075	SS-BSM-BSP-MF-0075	SS-BSM-BSP-MM-0075
4"	SS-BSM-BSP-FF-0100	SS-BSM-BSP-FM-0100	SS-BSM-BSP-MF-0100	SS-BSM-BSP-MM-0100
6"	SS-BSM-BSP-FF-0150	SS-BSM-BSP-FM-0150	SS-BSM-BSP-MF-0150	SS-BSM-BSP-MM-0150

ALSO AVAILABLE

SPRAY BALLS



HYGIENIC BUTTERFLY VALVES



STAINLESS STEEL TANK MANWAYS



MANWAYS SEALS

